

IMPORTANT: Failure to follow Gentek Building Products' written installation instructions and comply with applicable building codes may violate laws and affect siding performance and void warranty coverage.

ALIGN serves as a supplemental rain screen, not a weather-resistant barrier. ALIGN must be installed over a weather-resistant barrier system in accordance with local building code.

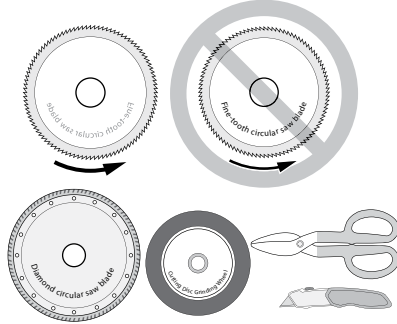
For complete installation instructions, visit gentekinc.com/align.

TOOLS AND BLADES

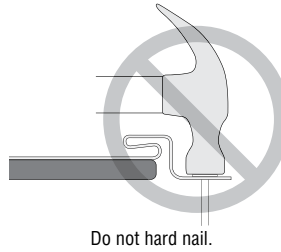
VERTICAL CUTS

Circular saw with a diamond blade or fine tooth (plywood) blade installed backward.

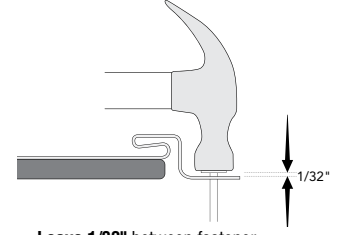
- Angle grinder with diamond blade.
- Tin snips: avoid closing blade completely at end of each stroke for a clener cut.



FASTENING



Do not hard nail.



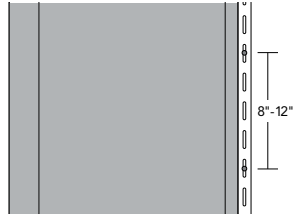
Leave 1/32" between fastener and nail hem.

WALL INSTALLATION

Hang ALIGN Board & Batten panel by placing the first fastener in the uppermost part of top full slot. Place all other fasteners in center of nail slots, every 8" to 12" on center. DO NOT fasten through nailing flanges of other materials.



Fasten at the top uppermost unobstructed nail slot on the panel towards the top of the wall. DO NOT fasten through nailing flanges or any other accessories.



Continue fastening panel every 8" to 12" in center of nailing slot.

Maintain a 1/4" clearance between Board & Batten panel and top accessory channel.
Maintain a 1/2" clearance between Board & Batten panel and bottom channel.

ACCESSORY INSTALLATION RECEIVING CHANNELS

Use minimum 3/4" x 3/4" receiving channel accessories at bottom and top of wall, transitions, corners, windows, doors and other obstacles.

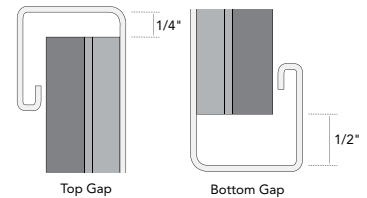
A channeled accessory (such as J-channel) is required to frame the bottom of Board & Batten panels at the bottom of a wall.

IMPORTANT: For water management, drill minimum 3/16" diameter weep holes every 12" to 24" in the base of horizontally installed J-channel. Leave a gap between the J-channel and flashing.

CLEARANCE BETWEEN PANEL AND RECEIVING CHANNELS

Allow gap between panels and channeled accessories:

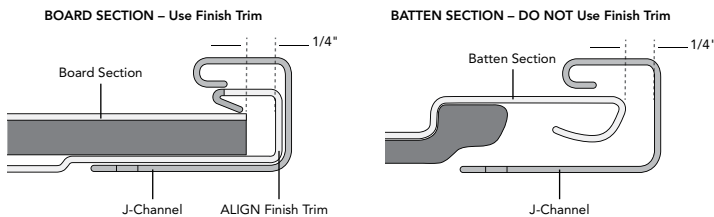
- Maintain a 1/4" clearance between Board & Batten panel and top accessory channel.
- Maintain a 1/2" clearance between Board & Batten panel and bottom channel.



PANEL RIP CUTS

Insert finish trim into corner or obstacle receiving channel. Finish trim is required at vertical receiving channels greater than 12" and will secure the rip cut board section of the panel.

- DO NOT use ALIGN finish trim in horizontal receiving channels.
- If Batten portion of panel (3/4" projection section) is inserted into receiving channel, finish trim is not required.



WALL/GABLE LAYOUT – Please refer to full installation guide for a step-by-step measurement process to produce a balanced wall.

Before cutting and fastening a panel, plan the wall layout to have a balanced look and batten centered in the peak if installing in a gable. A balanced look will have an equal number of full panels to the right and left of the center point of a wall and end pieces will be the same width.

In cases when a partial panel (nail hem is removed) is the last piece of the wall layout, a trim nail can be used to secure panel to wall. Trim nail should be placed at the uppermost point of the panel.

- Pre-drill a 1/8" pilot hole into the board section of plank that will be covered by the receiving channel for trim nail installation.
- Using a trim nail punch, fasten trim nail at top of panel, DO NOT hard nail.

